

LEGEND

- BONNEY LAKE CITY LIMITS
- BONNEY LAKE PIA
- SUMNER CITY LIMITS
- SUMNER PIA
- AUBURN CITY LIMITS
- AUBURN PIA
- COUNTY LINE

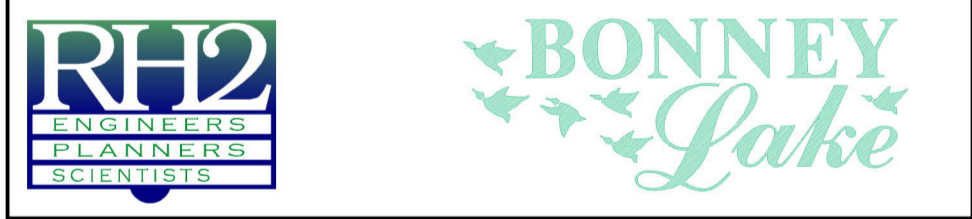
PRESSURE ZONES

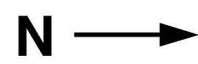
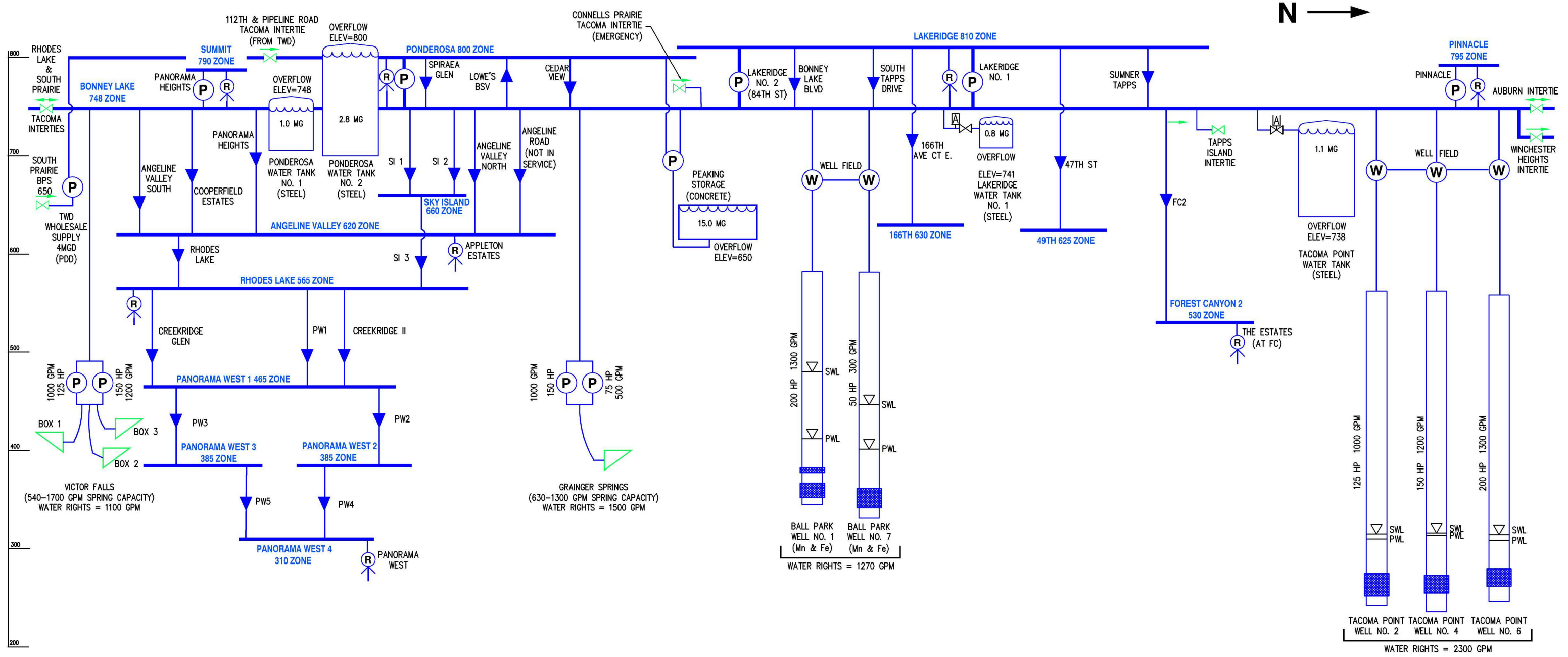
- 310 PANORAMA WEST 4
- 385 PANORAMA WEST 3
- 385 PANORAMA WEST 2
- 485 PANORAMA WEST 1
- 530 FOREST CANYON 2
- 585 RHODES LAKE
- 620 ANGLELINE VALLEY
- 625 47TH STREET
- 625 166TH AVE
- 690 SKY ISLAND
- 748 BONNEY LAKE
- 790 SUMMIT
- 795 PINNACLE ESTATES
- 800 PONDEROSA
- 815 LAKEWOOD

FACILITIES & UTILITIES

- AIR VAC
- HYDRANT
- VALVE
- BLOW OFF
- SAMPLING STATION
- RESERVOIR
- WELL OR SPRING SOURCE
- PRESSURE REDUCING VALVE (PRV)
- BOOSTER PUMP STATION (BPS)
- INTERFIC

Figure 2
City of Bonney Lake
WATER SYSTEM





LEGEND	
	Existing System
	Pump Station
	Well
	Relief Valve
	PRV
	Intertie
	Water Tank
	Spring
	Altitude Valve

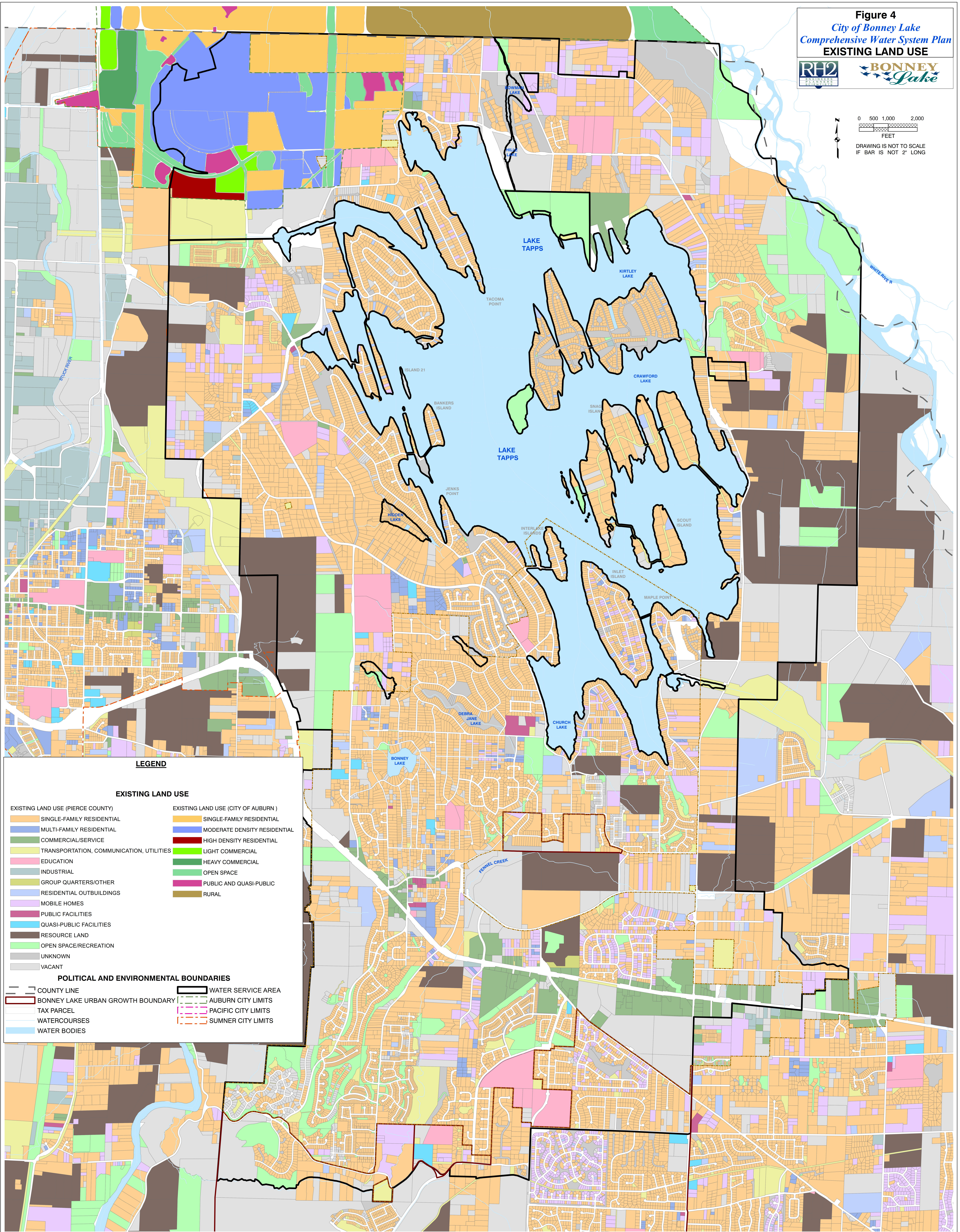
Figure 3
City of Bonney Lake
Comprehensive Water System Plan
EXISTING HYDRAULIC PROFILE

REFERENCE DATUM: NGV 1929

Figure 4
City of Bonney Lake
Comprehensive Water System Plan
EXISTING LAND USE



0 500 1,000 2,000
 FEET
 DRAWING IS NOT TO SCALE
 IF BAR IS NOT 2" LONG



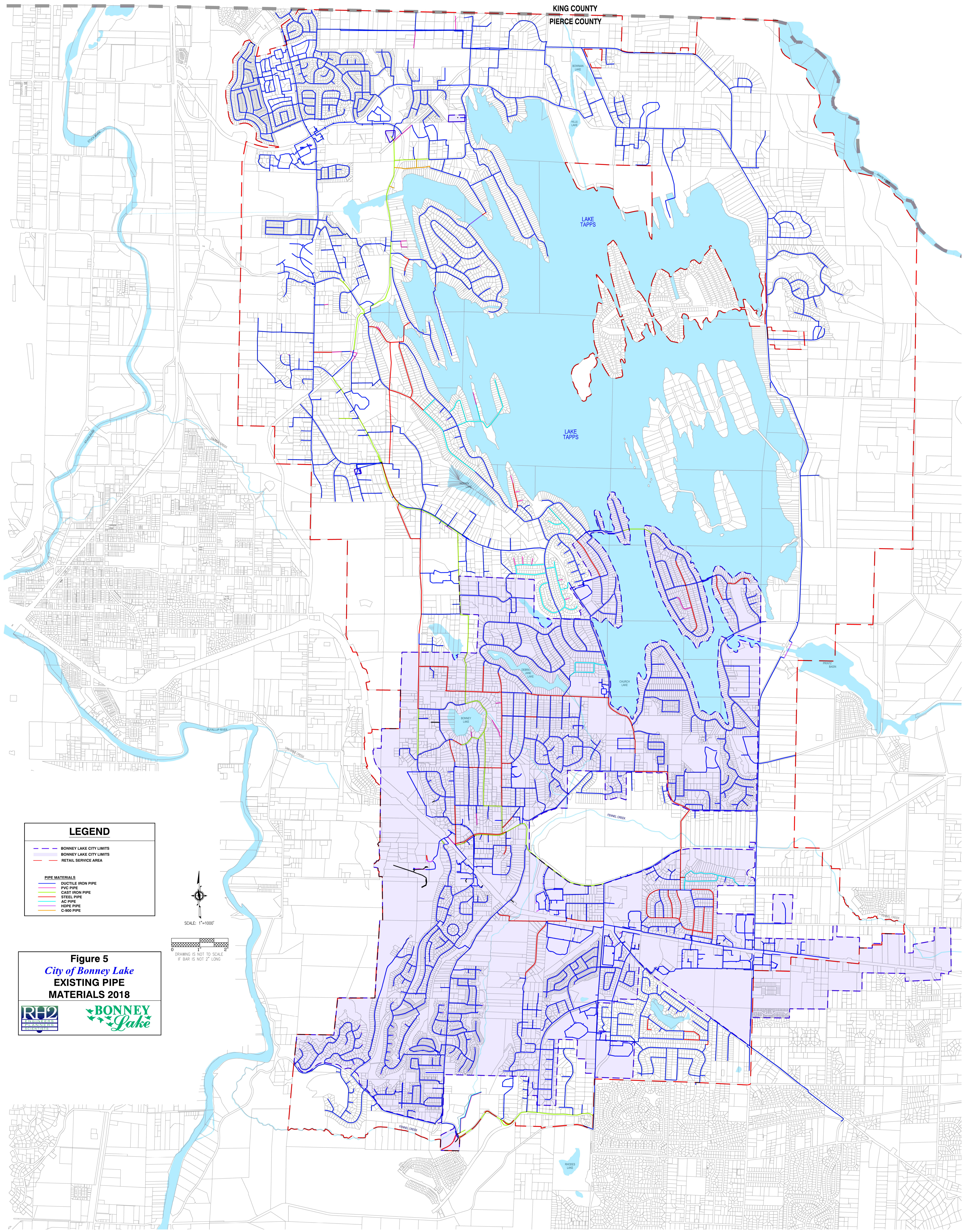
LEGEND

EXISTING LAND USE

- | | |
|--|---|
| EXISTING LAND USE (PIERCE COUNTY) | EXISTING LAND USE (CITY OF AUBURN) |
| Single-family Residential | Single-family Residential |
| Multi-family Residential | Moderate Density Residential |
| Commercial/Service | High Density Residential |
| Transportation, Communication, Utilities | Light Commercial |
| Education | Heavy Commercial |
| Industrial | Open Space |
| Group Quarters/Other | Public and Quasi-Public |
| Residential Outbuildings | Rural |
| Mobile Homes | |
| Public Facilities | |
| Quasi-Public Facilities | |
| Resource Land | |
| Open Space/Recreation | |
| Unknown | |
| Vacant | |

POLITICAL AND ENVIRONMENTAL BOUNDARIES

- | | |
|-----------------------------------|---------------------|
| County Line | Water Service Area |
| Bonney Lake Urban Growth Boundary | Auburn City Limits |
| Tax Parcel | Pacific City Limits |
| Watercourses | Sumner City Limits |
| Water Bodies | |



LEGEND

- BONNEY LAKE CITY LIMITS
- BONNEY LAKE CITY LIMITS
- RETAIL SERVICE AREA

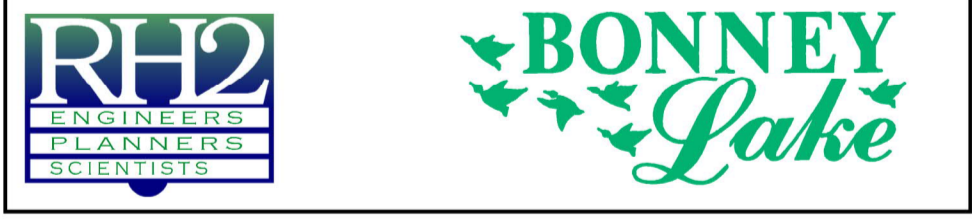
PIPE MATERIALS

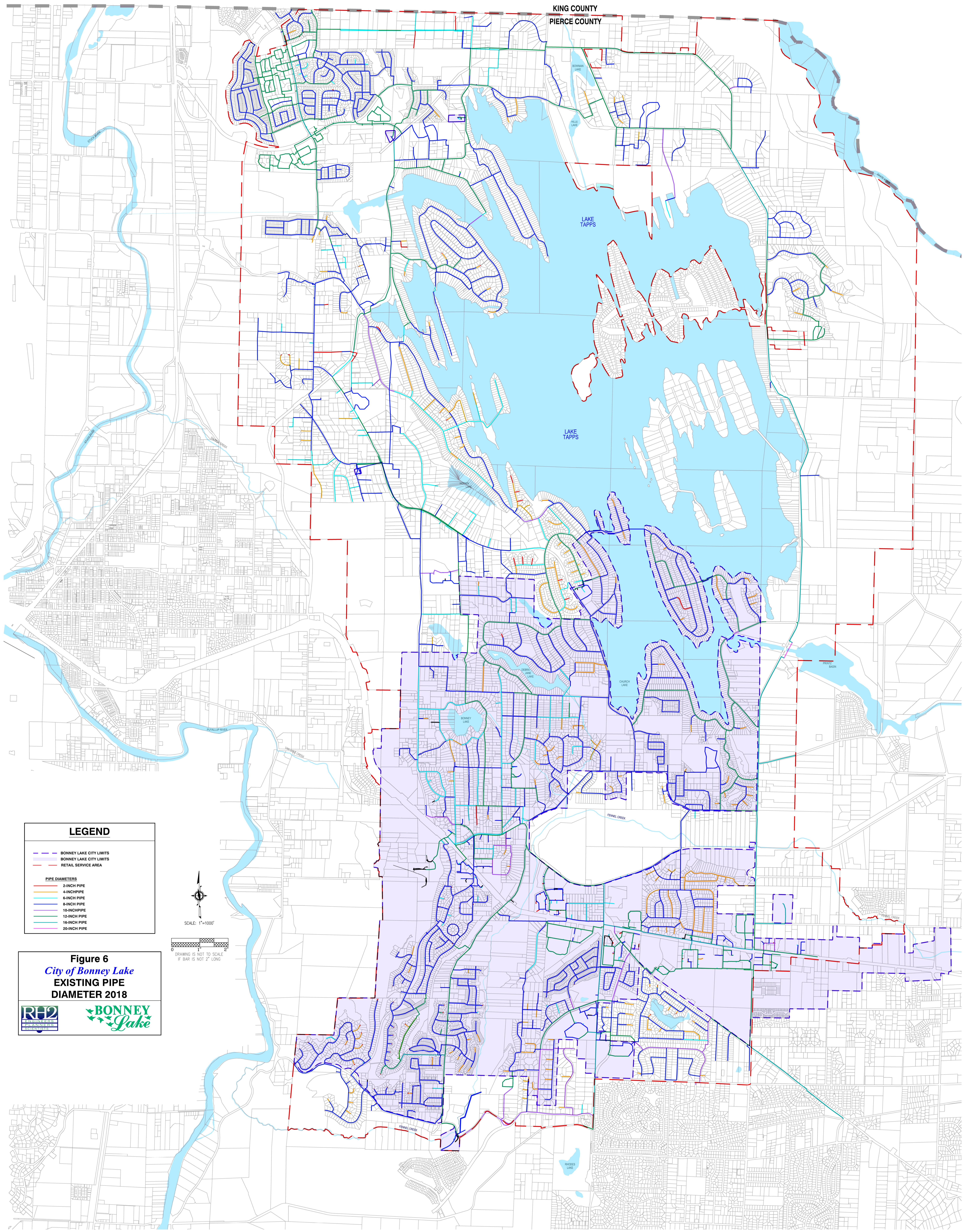
- DUCTILE IRON PIPE
- PVC PIPE
- CAST IRON PIPE
- STEEL PIPE
- AC PIPE
- HDPE PIPE
- C-900 PIPE

SCALE: 1"=1000'

DRAWING IS NOT TO SCALE
IF BAR IS NOT 2" LONG

Figure 5
City of Bonney Lake
EXISTING PIPE
MATERIALS 2018





LEGEND

- BONNEY LAKE CITY LIMITS
- BONNEY LAKE CITY LIMITS
- RETAIL SERVICE AREA

PIPE DIAMETERS

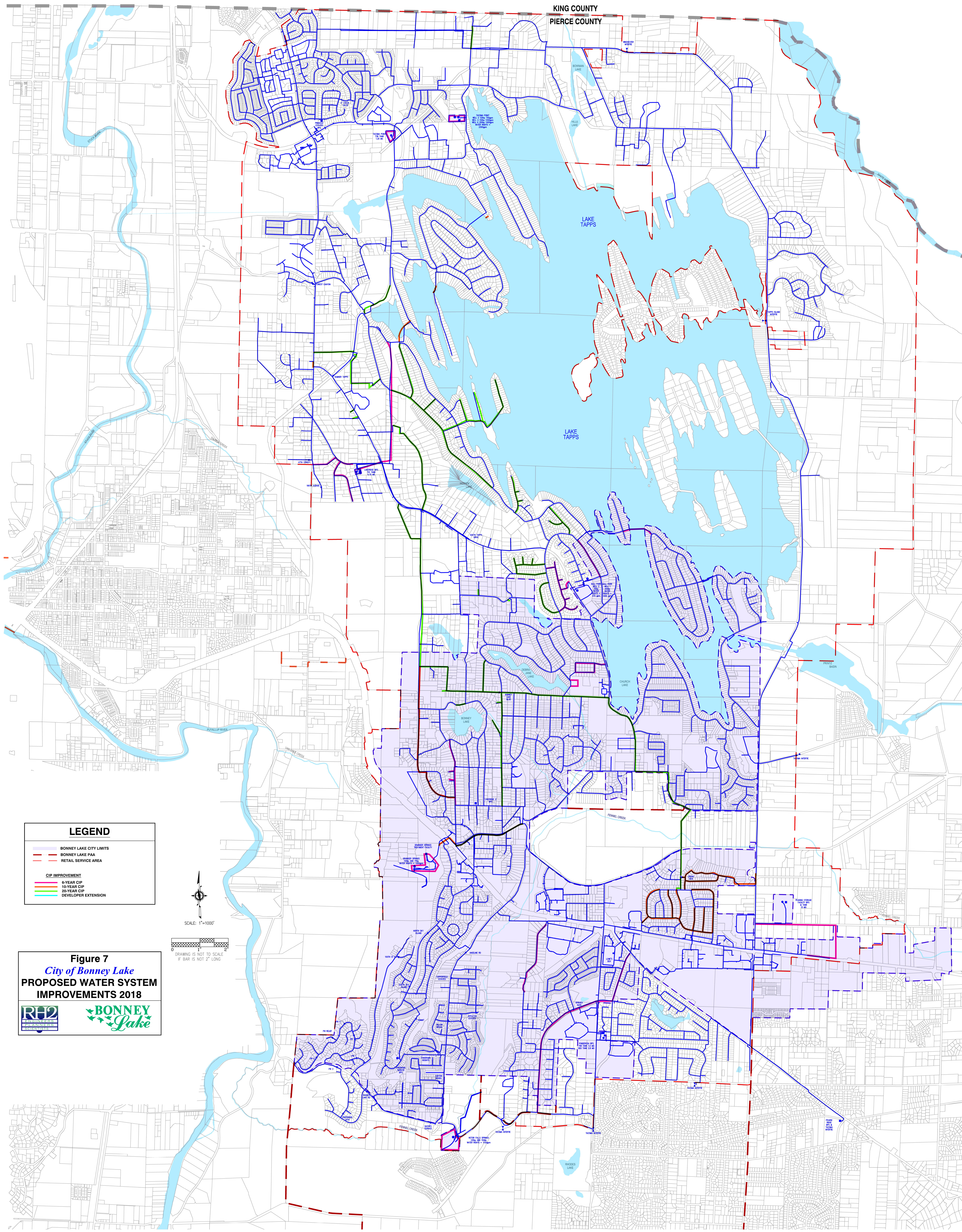
- 2-INCH PIPE
- 4-INCH PIPE
- 6-INCH PIPE
- 8-INCH PIPE
- 10-INCH PIPE
- 12-INCH PIPE
- 16-INCH PIPE
- 20-INCH PIPE

SCALE: 1"=1000'

DRAWING IS NOT TO SCALE
IF BAR IS NOT 2" LONG

Figure 6
City of Bonney Lake
EXISTING PIPE
DIAMETER 2018





KING COUNTY
PIERCE COUNTY

LEGEND

- BONNEY LAKE CITY LIMITS
- BONNEY LAKE PAA
- RETAIL SERVICE AREA

CIP IMPROVEMENT

- 6-YEAR CIP
- 10-YEAR CIP
- 20-YEAR CIP
- DEVELOPER EXTENSION

SCALE: 1"=1000'

DRAWING IS NOT TO SCALE
IF BAR IS NOT 2" LONG

Figure 7
City of Bonney Lake
**PROPOSED WATER SYSTEM
IMPROVEMENTS 2018**

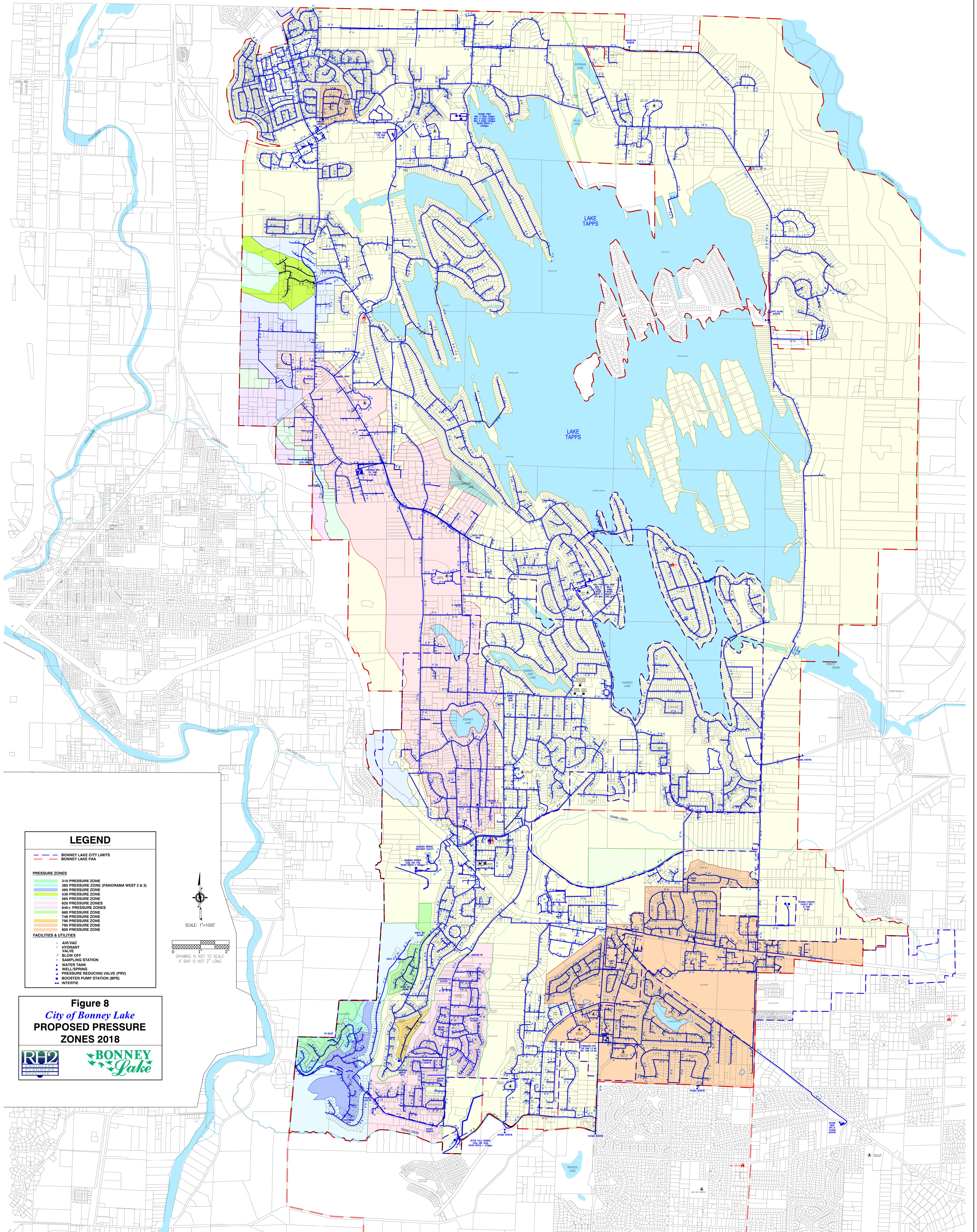




Figure 8
City of Bonney Lake
PROPOSED PRESSURE
ZONES 2018

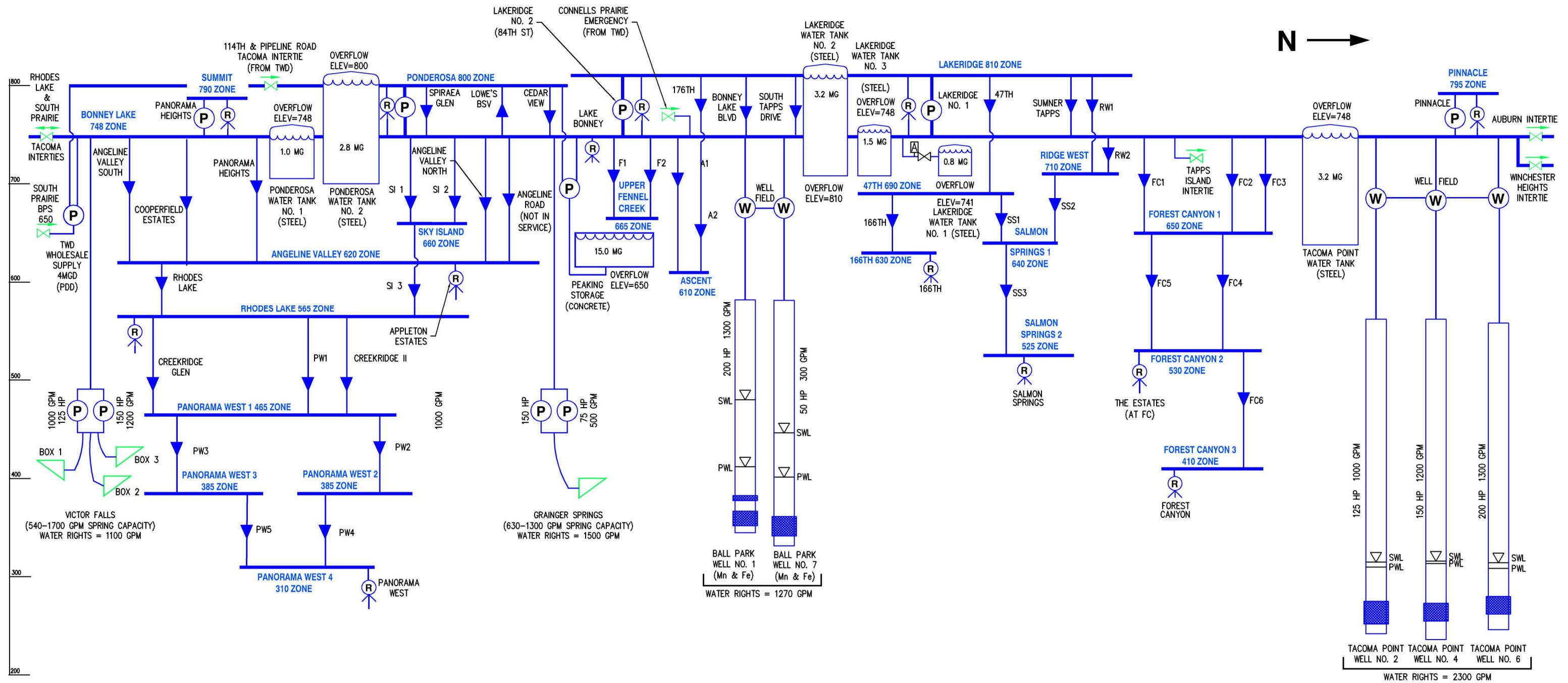


Figure 9
City of Bonney Lake
Comprehensive Water System Plan
PROPOSED HYDRAULIC PROFILE



REFERENCE DATUM: NGV 1929